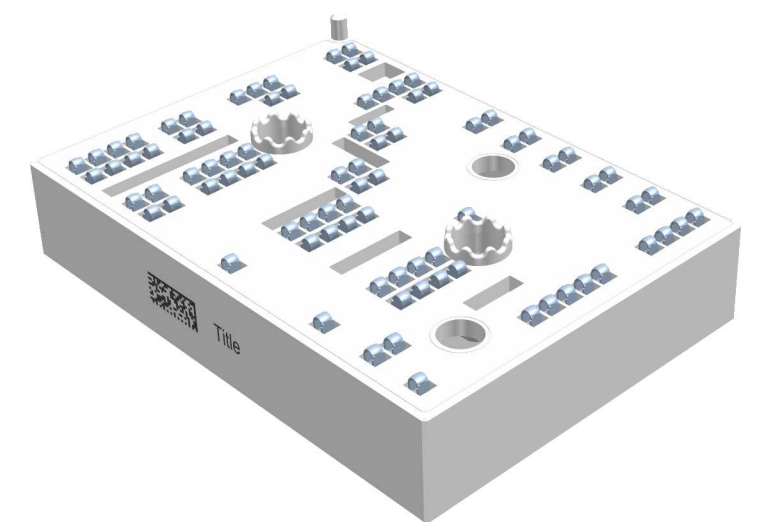
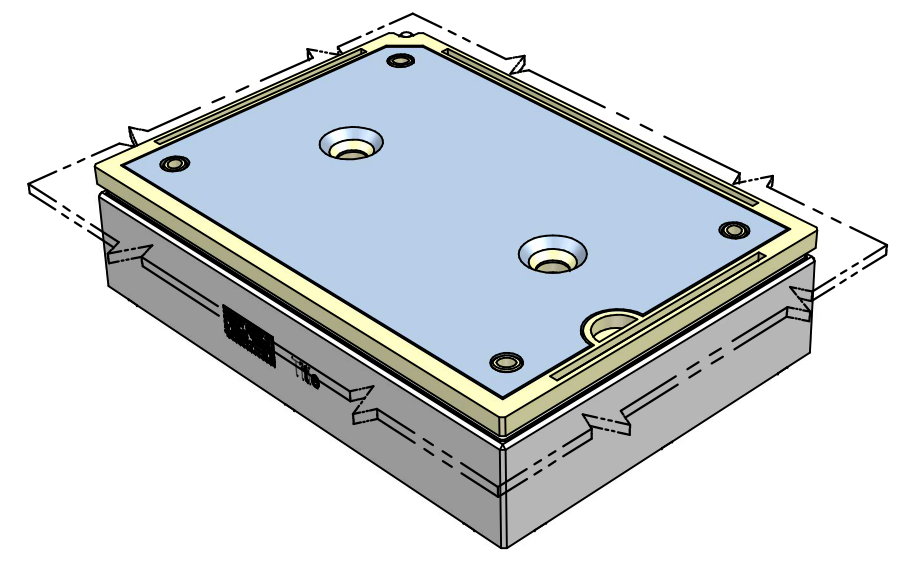
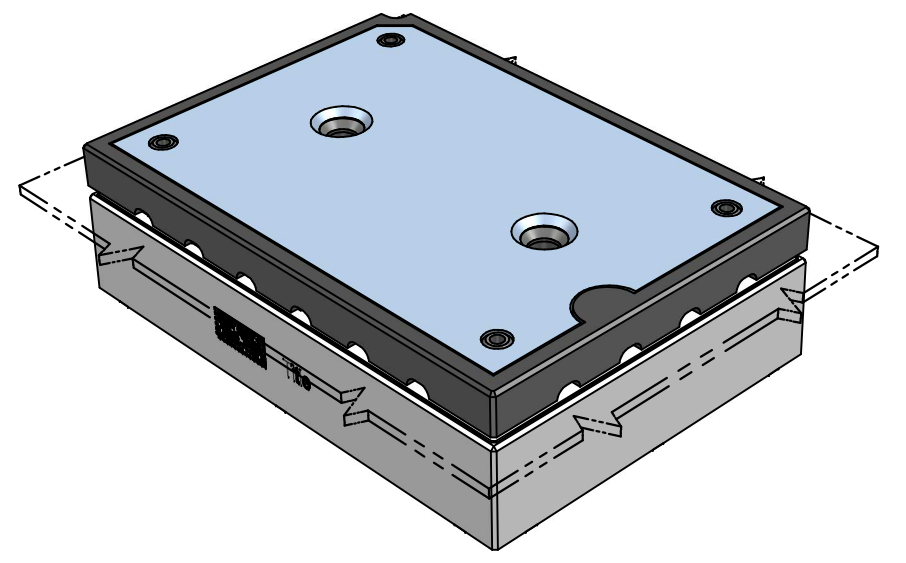
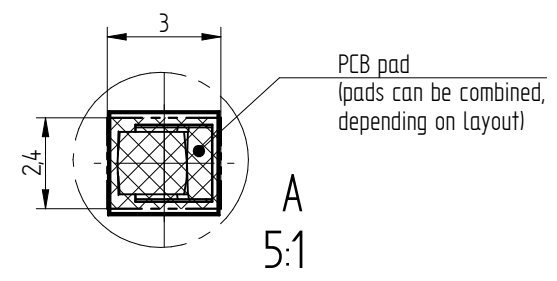


Tolerance of coordinate dimensions: $\pm 0,1\text{mm}$
 PCB specification according to the actual handling instruction
 Actual pinout, see on the module datasheet
 For assembly related dimensions refer to the attached 3D-CAD models



02	13.11.2018	pos. pin dia; removed holes on top; screw hole border dia	Gyimóthy Zs	Géczy M.	Package drawing	View scale 1,2:1
01.02	07.07.2015	changes on lids	Gyimóthy Zs	Géczy M.		
01.01	09.06.2015	dim. correction; updates on std. lid	Gyimóthy Zs	Gyetvai T.		
Rev.	Date	Alteration	Designed	Approved		
General tolerances ISO 2768 - m , K				Ps A3		
Linear dimensions		$x < 0,5 \pm 0,05$	$0,5 \leq x < 6 \pm 0,1$	$6 \leq x < 30 \pm 0,2$	$30 \leq x < 120 \pm 0,3$	$120 < x \pm 0,5$
Chamfers, radii		$x < 0,3 \pm 0,05$	$0,3 \leq x < 0,5 \pm 0,1$	$0,5 \leq x < 3 \pm 0,2$	$3 \leq x < 6 \pm 0,5$	$6 < x \pm 1$
References		Inspectional dim:	Revision number (Rev.): *		IP Development	
					Skip3- [*] PD	Page 1/1
					Drawing alteration in revision: {}	

Proprietary data, company confidential. All rights reserved.